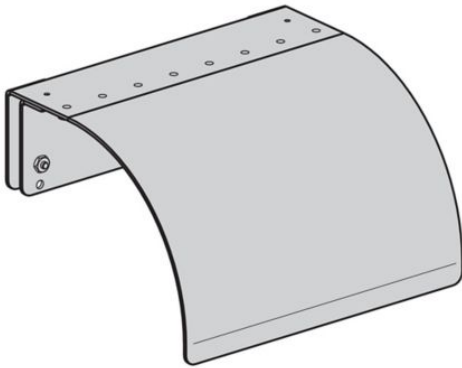


Eaton SB2129SD12TG

Catalog Number: SB2129SD12TG

Eaton B-Line series runway dropout kit, Side drop-out, 14 gauge, ASTM A36 steel, Yellow Zinc

General specifications



Product Name	Catalog Number
Eaton B-Line series runway dropout kit	SB2129SD12TG
UPC	Product Length/Depth
799038354918	4 in
Product Height	Product Width
4 in	10.25 in
Product Weight	Certifications
2 lb	UL Listed

Product specifications

Type

Side drop-out

Material details

Yellow zinc ASTM A36 steel

Resources

Brochures

[Redi-Rail runway brochure](#)

Catalogs

[Cable runway and accessories section of datacomm catalog](#)

Specifications and datasheets

[Eaton Specification Sheet - SB2129SD12TG](#)



Eaton Corporation plc
Eaton House
30 Pembroke Road
Dublin 4, Ireland
Eaton.com

© 2023 Eaton. All Rights Reserved.

Eaton is a registered trademark.

All other trademarks are property of their respective owners.



[Eaton.com/socialmedia](https://www.eaton.com/socialmedia)